

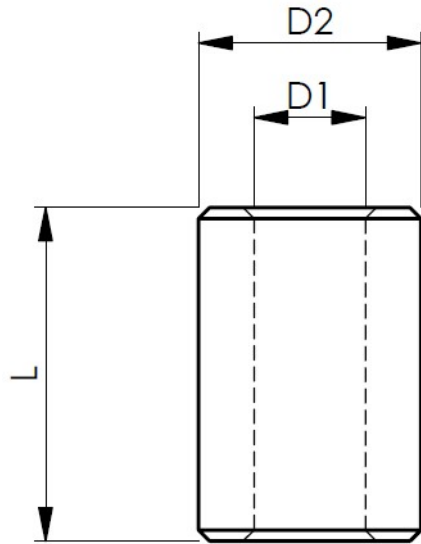
PRODUCT INFORMATION SHEET

DRAWING No. CERAMIC BEADS

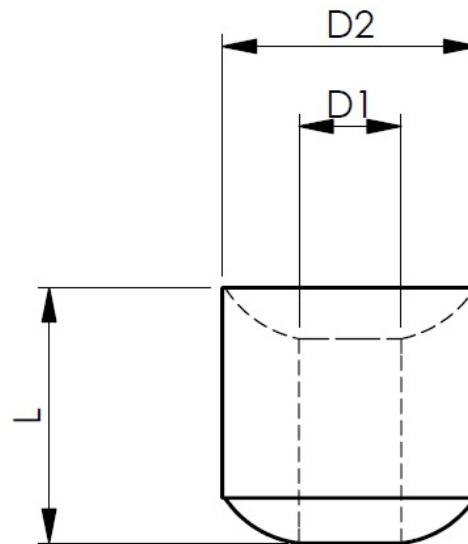
THIRD ANGLE PROJECTION

NOT TO SCALE

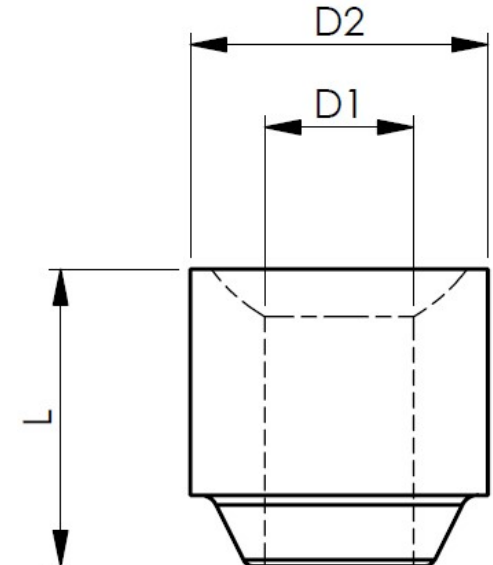
ALL DIMENSIONS IN MM



STYLE 1



STYLE 2



STYLE 3

Style 1

Part ref.	D1	D2	L
304-496	2.0	4.0	6.0
304-497	1.5	4.5	8.0
304-498	1.5	4.5	10.0

Style 2

Part ref.	D1	D2	L
304-493	1.0	3.0	3.0
304-495	1.8	4.5	4.5
304-494	1.0	3.0	5.0
218-004	3.5	6.0	5.5

Style 3

Part ref.	D1	D2	L
304-492	2.1	5.0	5.0
217-002	2.7	6.0	6.5
217-003	3.5	7.0	7.0



SALES@GREENWAY-LTD.CO.UK | +44 (0)1732 779 082

TOLERANCES (UNLESS STATED):

DIN 40 680m

Up to 4mm: ± 0.15mm
 4-6mm: ± 0.20mm
 6-8mm: ± 0.25mm
 8-10mm: ± 0.30mm

MATERIAL:

STEATITE C220 CERAMIC

FINISH:

SELF-FINISH

TITLE:

GREENWAY CERAMIC BEADS,
 STYLES 1,2 & 3

DRAWING #:

CERAMIC BEADS