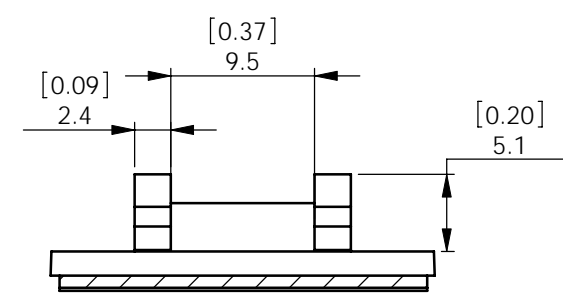
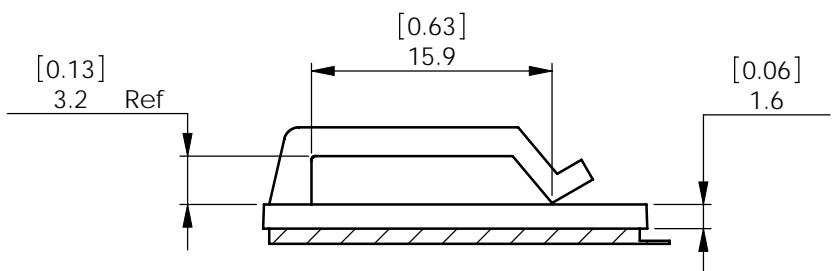
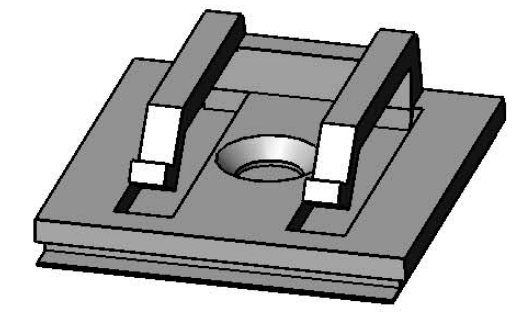
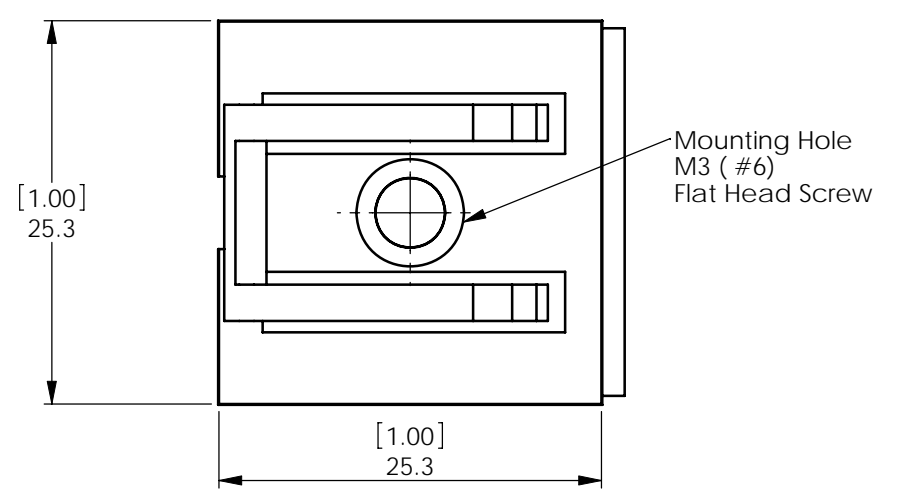


REV.	MODIFICATION.	DATE	DRN
01	C0 2010799	01/09/09	PH

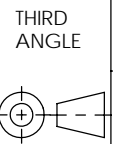


ALTERNATE UNITS FOR REFERENCE ONLY

INFORMATION CONTAINED IN THIS DOCUMENT IS CONFIDENTIAL TO RICHCO INTERNATIONAL Co. Ltd. AND MAY NOT BE DISCLOSED OR REPRODUCED IN WHOLE OR PART WITHOUT THEIR WRITTEN CONSENT.

RICHCO, INC.
WWW.RICHCO-INC.COM

ALL DIMENSIONS IN mm
GENERAL TOLERANCES ±0.25
UNLESS OTHERWISE STATED
1 DECIMAL PLACE ±
2 DECIMAL PLACES ±
ANGULAR ±1°



- NOTE:
1. Available 'With Out' Tape by Special Order Only.
 2. Tape - 1.0 (0.04) Thick, Double Sided Acrylic Adhesive. RMS-324.

MATERIAL: Nylon 6/6 UL94 V-2 (RMS-01)		COLOUR: Natural	
DESCRIPTION: Split Flat Cable Clamp		PART No: SFCC-8-01-A4-RT	
DRG No: 08-094	NPR No: XXXX-XXX	SHEET SIZE A4	
DRN PH	DATE 01/09/09	CHKD TC	DATE XX/XX/XX
SCALE NTS	SHEET No. 1 OF 1		