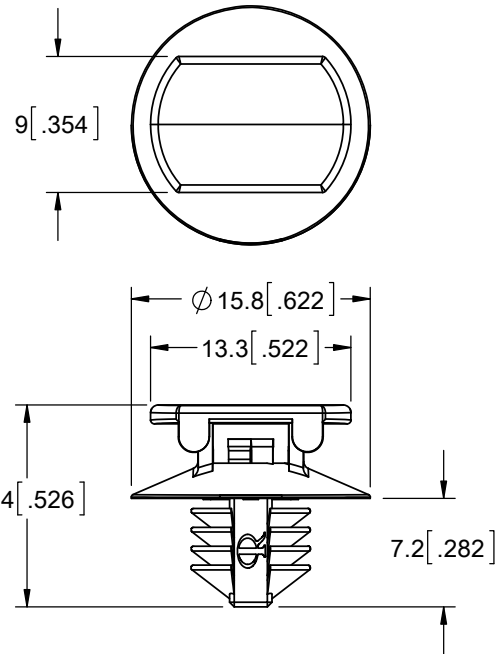
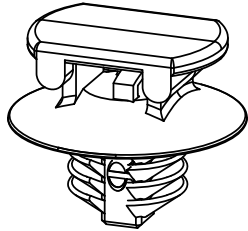


MATERIAL: NYLON 6/6 UL94 V-2 (RMS-01), COLOR:BLACK

PART NUMBER	PANEL HOLE \varnothing	PANEL THICKNESS	CABLE TIE ACCEPTED
FTH-37-01BK	6.5 - 7 [.26 - .28]	0.8 - 3 [.03 - .12]	WIT/WITA -40 & -50



NOTES:

1. ALTERNATE UNITS FOR REFERENCE ONLY.
2. OTHER COLORS AND MATERIALS AVAILABLE BY SPECIAL ORDER.
3. AVAILABLE ASSEMBLED WITH CABLE TIE BY SPECIAL ORDER.

A			RELEASED FOR PRODUCTION, CO 200654			SK 09/15/11		TITLE: FIR TREE CABLE TIE HOLDER					UNITS= mm [IN]					
REV.			DESCRIPTION			ENGR. DATE		CREATED USING SOLIDWORKS GENERAL TOLERANCE UNLESS NOTED ± 0.25 ANG. $\pm 1^\circ$			FILE #: FTH-37 SHEET: 1 OF 1 SHEET SIZE: A RE: RICHCO, INC --		DWN: SK DT: 09/15/11 APP: - CHKD: -		PART # SEE TABLE		PRINT TYPE CA	
						RICHCO, INC. WWW.RICHCO-INC.COM						FINAL						