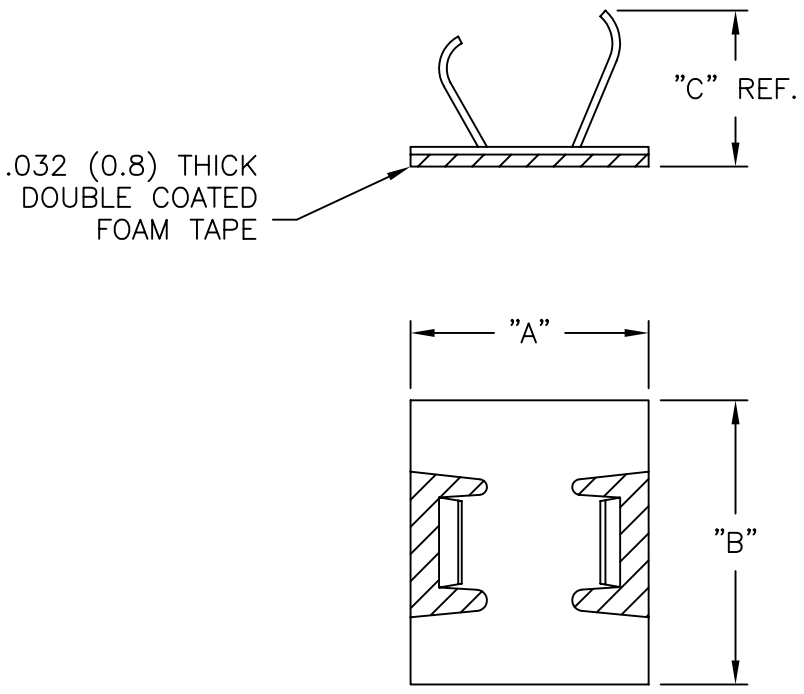


PART NO.	"A"	"B"	"C" REF.	MAX. BUNDLE DIA.
ASK-3	.44 (11.3)	.66 (16.8)	3/8 (9.5)	15/64 (6.0)
ASK-6	.62 (15.7)	.74 (18.8)	9/16 (14.3)	3/8 (9.5)



- NOTES:
1. MATERIAL: ALUMINUM (RMS-194); BRIGHT FINISH
  2. COLOR: SILVER.
  3. POLYURETHANE ADHESIVE TAPE (RMS-99)

TITLE: ALUMINUM STICKY KLIP			DWG IN IN (MM) FINAL					
E	SEE ECN #1254 FOR CHANGES	SK 11.29.06	FILE # ASK	DWN: P.B.	APP:	PART #		PRINT
D	SEE ECN #932 FOR CHANGES	SK 02.01.05	MAT'L: ALUMINUM	DT: 06-19-95	DT:	SEE TABLE		TYPE
C	CHANGED FILE NO.	SM 03.22.02	RE: RICHCO, INC.	RICHCO INC. PO BOX 804238, CHICAGO, 60680 (773) 539-4060				CA
B	TAPE CHANGED TO (RMS-99)	J.L. 11.4.98						
A	DIM 15/64 (6.0) WAS 15/64 (5.9)	PB 08.17.95						
REV	DESCRIPTION	ENGR DATE						