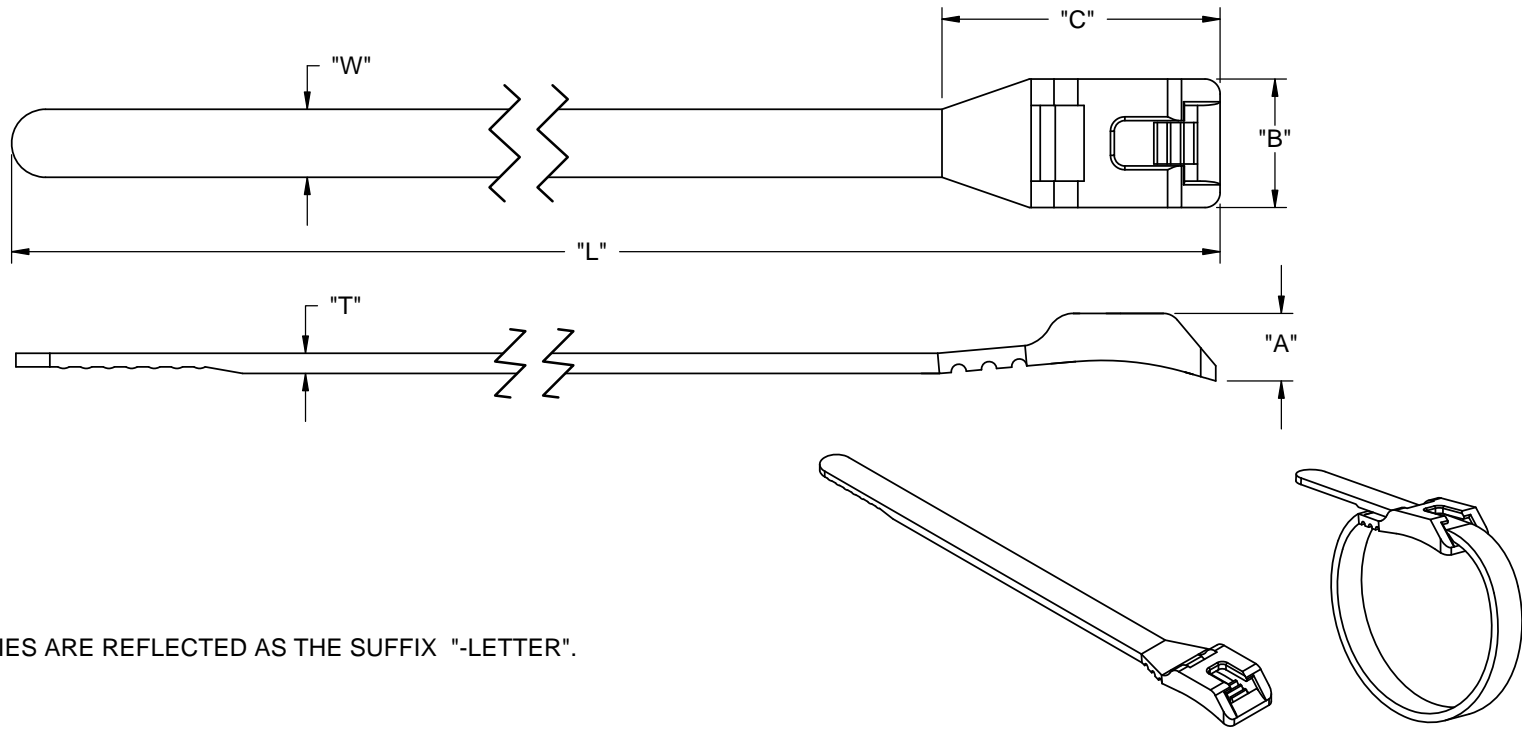


NYLON 6/6 (RMS-01) COLOR: NATURAL PART NO.	UVB STABILIZED NYLON 6/6 (RMS-46) COLOR: BLACK PART NO.	BUNDLE DIA.	"A"±.020 [0.51]	"B"±.020 [0.51]	"C"±.030 [0.76]	"L" REF	"T"±.005 [0.13]	"W"±.005 [0.13]	MIN. LOOP TENSILE (lbs)
WITLP-50R-M	WITLP-50R-UVB-M	.375-1.750 [9.5-44.45]	.176 [4.47]	.337 [8.56]	.690 [17.53]	7.500 [190.50]	.053 [1.35]	.177 [4.50]	50
WITLP-120R-C	WITLP-120R-UVB-C	.563-3.500 [14.3-88.90]	.270 [6.86]	.487 [12.37]	1.380 [35.05]	16.000 [406.40]	.075 [1.91]	.300 [7.62]	120



NOTES:
1. PACKAGING QUANTITIES ARE REFLECTED AS THE SUFFIX "-LETTER".
-C = 100 PCS
-M = 1000 PCS

TITLE: LOW PROFILE CABLE TIES			DWG IN IN [MM]		FINAL		PRINT TYPE	
CREATED USING SOLIDWORKS			FILE #: WITLP	DWN: SK	APP: SK	PART #		CA
TOLERANCES UNLESS NOTED .XX=±.01 .XXX=±.005 FRAC.=±1/64 ANG.=±1°			SHEET: 1 OF 1	SHEET SIZE: A	DT: 01/19/05	CHKD: D.J.Z.	SEE TABLE	
C	ADDED NOTE 1. SEE CO 200661 FOR CHANGES	SK 05/12/11	RE: RICHCO, INC.		RICHCO, INC. ENG@RICHCO-INC.COM (773) 539-4060			
B	SEE CO 200095 FOR CHANGES	SK 12/20/07						
A	RELEASED FOR PRODUCTION	SK 01/19/05						
REV.	DESCRIPTION	ENGR. DATE						