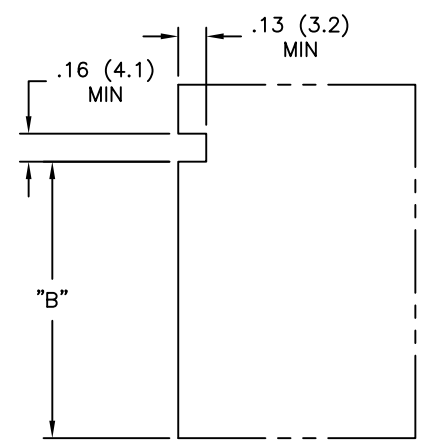
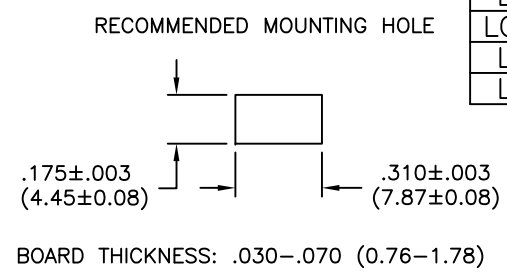
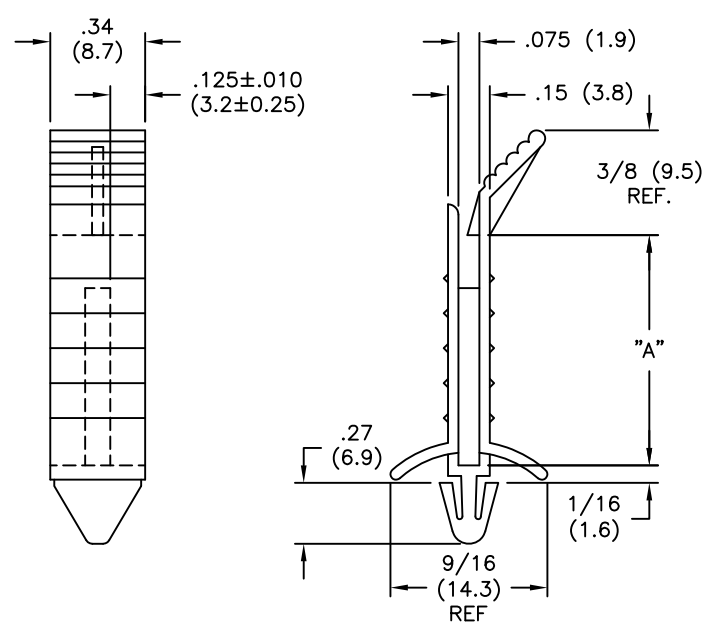


PART NO.	"A"±.010	"B"
LCBG-1T-01	.880 (22.4)	.865 (22)
LCBG-1.5T-01	1.375 (34.9)	1.360 (34.5)
LCBG-2T-01	1.870 (47.5)	1.855 (47.1)
LCBG-3T-01	2.875 (73.0)	2.860 (72.6)



- NOTES:
- MATERIAL: NYLON 6/6 (RMS-01).  
FLAME RETARDANT NYLON (RMS-19).  
AVAILABLE BY SPECIAL ORDER ONLY.
  - COLOR: NATURAL.

TITLE: LOCKING CIRCUIT BOARD GUIDE				DWG IN IN (MM)	FINAL	QR
TOLERANCES UNLESS NOTED .XX=±.010 .XXX=±.005 FRAC=±1/64 ANG=±1°	FILE # LCBG-T	DWN: S.M.	APP:	PART #		PRINT TYPE
	MAT'L: SEE NOTES	DT: 12/03/01	DT:	SEE TABLE		CA
	RE: RICHCO, INC.	RICHCO INC. PO BOX 804238, CHICAGO, 60680 (773) 539-4060				

REV	DESCRIPTION	ENGR	DATE
A	ADDED BOARD CUT-OUT VIEW, CO 200607	SK	12.17.10