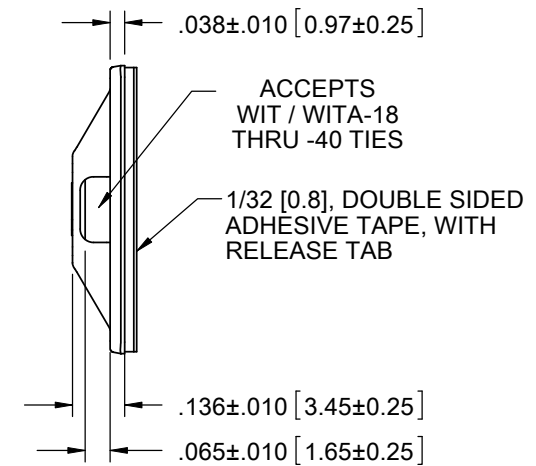
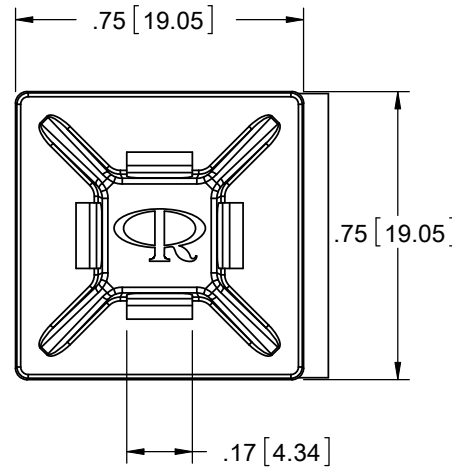


PART NO.	ADHESIVE
FTH-40	WITHOUT ADHESIVE
FTH-40A-RT	ACRYLIC ADHESIVE (RMS-15)
FTH-40A1-RT	RUBBER ADHESIVE (RMS-102)



- NOTES:
 1. MATERIAL: ABS UL 94 HB (RMS-002)
 2. COLOR: WHITE
 3. ALTERNATE UNITS ARE FOR REFERENCE ONLY

TITLE: FLAT TIE HOLDER					DWG IN IN [MM]	
CREATED USING SOLIDWORKS	FILE #: FTH-40	DWN: D.J.Z.	APP: D.J.Z.	FINAL		
TOLERANCES UNLESS NOTED XX=±.010 .XXX=±.005 FRAC.=±1/64 ANG.=±1°	SHEET: 1 OF 1	SHEET SIZE: A	DT: 01/20/2010	CHKD: M.B.	PART #	PRINT TYPE
	RE: RICHCO, INC. --	RICHCO, INC. WWW.RICHCO-INC.COM		SEE TABLE	CA	

REV.	DESCRIPTION	ENGR.	DATE
C	SEE CO 200570 FOR CHANGES	SK	08/04/10
B	SEE CO 200514 FOR CHANGES	SK	03/25/10
A	RELEASED FOR PRODUCTION	D.Z.	01/21/2010