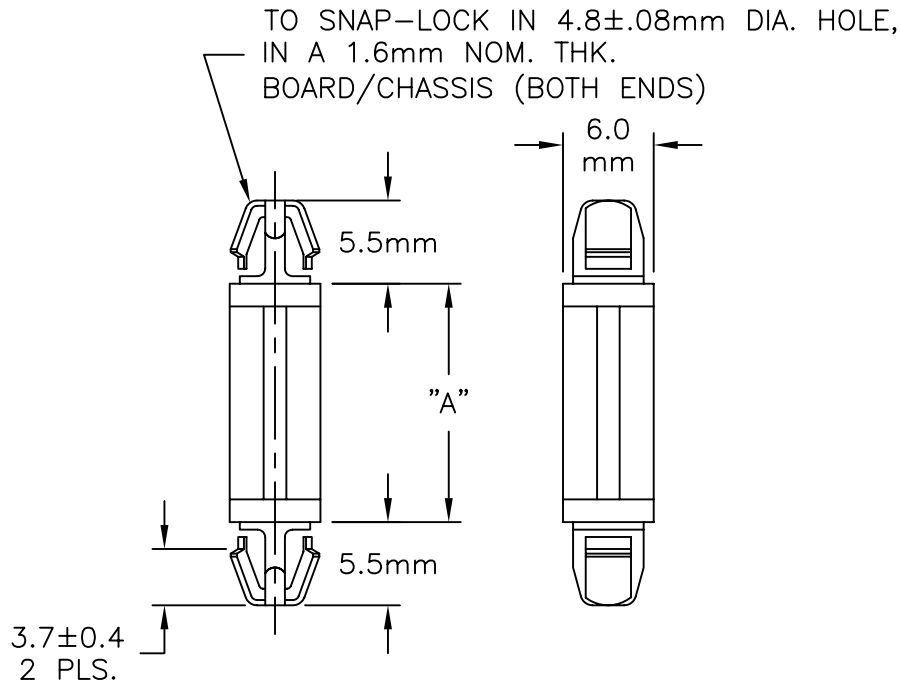
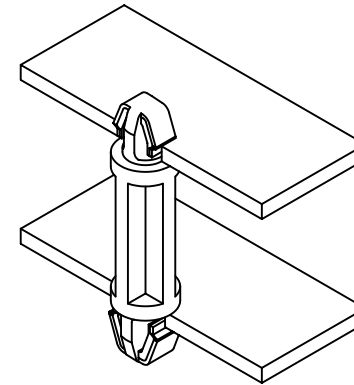


AVAILABLE BY SPECIAL ORDER ONLY



PART NO.	"A" ±0.4 mm
DLSP-2-3M-01	3.0 mm
DLSP-2-4M-01	4.0 mm
DLSP-2-6M-01	6.0 mm
DLSP-2-8M-01	8.0 mm
DLSP-2-10M-01	10.0 mm
DLSP-2-12M-01	12.0 mm
DLSP-2-14M-01	14.0 mm
DLSP-2-16M-01	16.0 mm
DLSP-2-18M-01	18.0 mm



NOTES:

- MATERIAL: NYLON 6/6 (RMS-01).
FLAME RETARDANT, NYLON (RMS-19),
AVAILABLE BY SPECIAL ORDER ONLY.
- COLOR: NATURAL.

F	SEE ECN #862 FOR CHANGES	SM 10.04.04	TITLE: DUAL LOCKING SUPPORT POST (METRIC), TYPE 2				⊙	⊙	DWG IN METRIC	QR
E	ADDED TOL. ±0.4 TO DIM. 3.7	SM 05.28.02	FILE # DLSP-2				DWN: P.B.		APP:	
D	CHANGED FILE NUMBER	SM 05.10.01	MAT'L: SEE NOTES				DT: 10-04-94		DT:	
C	Tol. ±.08 added to dim 4.8	JL 4.3.00	RE: RICHCO, INC.				RICHCO INC.		PART #	
B	NOTE 2 REMOVED; 2ND CHART ADDED; DIM SEE CHART ADDED; DIM .24 (6) ADDED	PB 07.05.95	FRAC=±1/64				PO BOX 804238, CHICAGO, 60680		SEE TABLE	
A	-01 ADDED TO P/N'S	PB 11.09.94	ANG=±1°				(773) 539-4060		PRINT TYPE	
REV	DESCRIPTION	ENGR DATE							CA	