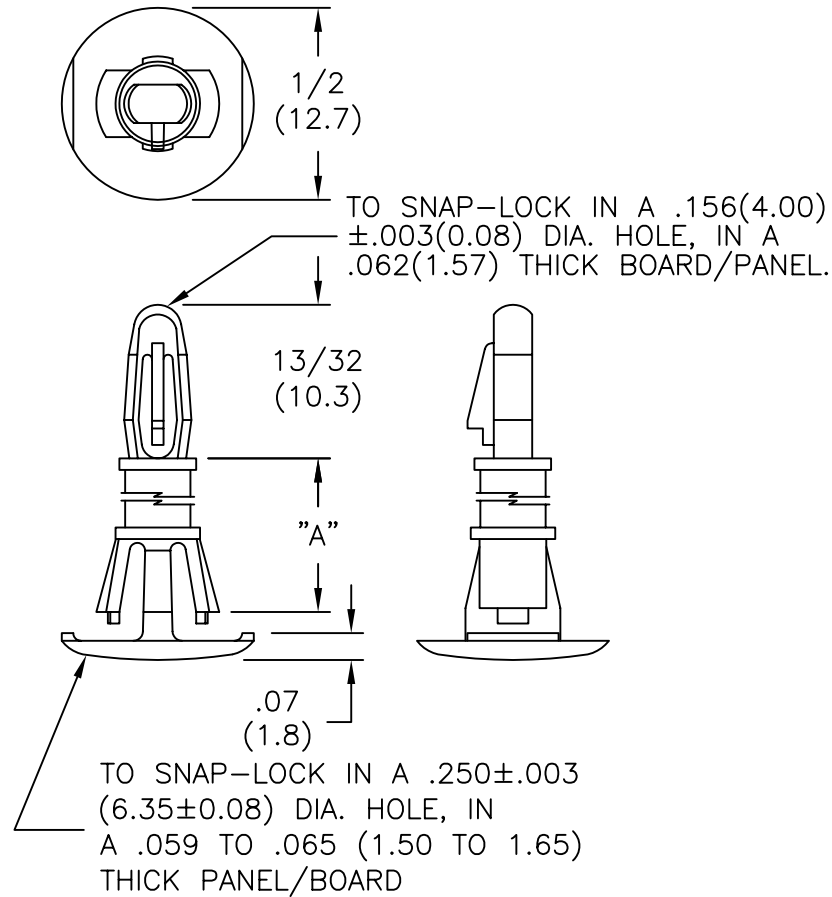


PART #	DIM. "A" ±.015(0.4)
RLCBSR1-4-01	1/4 (6.4)
RLCBSR1-6-01	3/8 (9.5)
RLCBSR1-8-01	1/2 (12.7)
RLCBSR1-10-01	5/8 (15.9)



NOTES:

- MATERIAL: NYLON 6/6 (RMS-01).
FLAME RETARDANT NYLON (RMS-19),
AVAILABLE BY SPECIAL ORDER.
- COLOR: NATURAL.

TITLE: REVERSE LOCK CKT. BD. SUPPORT, STYLE #1		DWG IN IN(MM)		FINAL	
TOLERANCES UNLESS NOTED .XX=±.010 .XXX=±.015 FRAC=1/64 ANG=1°		FILE # RLCBSR1	DWN: J.B./R.T.	APP:	
C		MAT'L: SEE NOTES		DT: 11-17-95 DT:	
B		RE: RICHCO INC.		RICHCO INC.	
A				PO BOX 804238, CHICAGO, 60680	
REV				(773) 539-4060	
SEE ECN #539 FOR CHANGES		SM 12.10.02		PART #	
CHANGED FILE NUMBER		SM 05.03.01		SEE TABLE	
MAT'L RMS-19 ADDED		J.L. 12.29.97		PRINT TYPE	
DESCRIPTION		ENGR DATE		CA	